



STRONG AROUND THE WORLD

HIGHLIGHT IIA PROJECTION CONSOLE

F E A T U R E S

- Sturdy 14 gauge cold rolled steel construction
- Adaptable to all major projector and sound-head combinations; projects 35mm and 70mm
- Porthole centerline height is 48 inches (122cm) at 0° projection angle
- Prewired circuit breakers for xenon power supply, projector motor, sound and automation, plus 15 ampere grounded convenience outlet
- Meets SMPTE standards for screen brightness with minimum 80% uniformity
- Precision electroformed deep ellipse nickel reflector is "cold" coated; heat filters not required for normal operation
- Easy access to bulb positioning controls
- Magnetic arc stabilization standard
- Built-in blowers with directed airflow provide enhanced cooling of bulb and reflector
- Filtered air intake reduces lamphouse cleaning
- Elapsed hour meter, DC ammeter and voltmeter on control panel
- Automated or Manual bulb ignition
- Safety interlock switches at all hinged operator lamphouse access doors
- Available in 7000 watt for special applications



Like the original Strong Highlight console introduced in 1984, the Highlight IIA utilizes all popular horizontal bulb sizes from 1000 to 7000 watts. Light output is maximized by choosing the reflector to best suit the unique needs of each installation: 12.8 inch, 14.5 inch, or the traditional 15 inch – long used in many applications since its introduction in the legendary X-60D.

The Highlight IIA includes 10½ inches of standard rack space below the lamphouse compartment for optional sound or automation accessories. Key locks limit access to authorized personnel only.



a division of Ballantyne of Omaha, Inc.

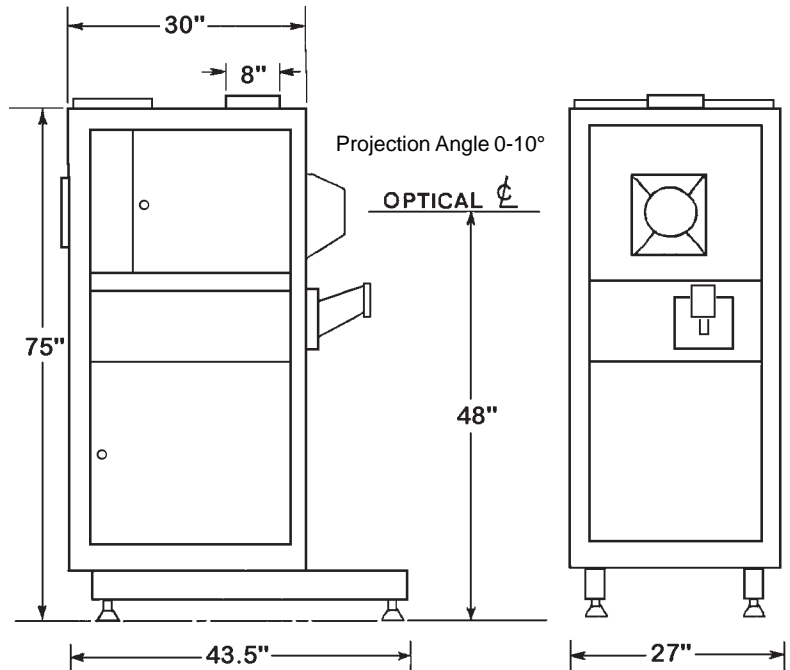
Strong HIGHLIGHT IIA CONSOLE

The Highlight IIA offers a choice of xenon power supplies. The Strong Switching Type Xenon Power Supply reflects today's solid-state technology. This compact unit pampers your bulb with battery-smooth DC output and low inrush current (not exceeding 180%). Ripple does not exceed 3% peak-to-peak, and power efficiency averages 88%. A current adjustment potentiometer is located on the lamphouse control panel adjacent to the ammeter.

Traditionalists appreciate the proven, no-nonsense dependability of the HRPS High Reactance Xenon Power Supply. This unit features a rugged, wire-wound banked transformer and a silicon bridge rectifier. Oversize heat sinks protect the rectifier diodes. DC output is filtered through a bank of filter capacitors. Coarse and fine taps are easily set to regulate the DC current to the bulb.

| Highlight II Bulbs | |
|--------------------|---------------------|
| Wattage | Screen Width (Max.) |
| 700 | 22' (6.7 m) |
| 1000 | 25' (7.6 m) |
| 1600 | 30' (9.1 m) |
| 2000 | 35' (10.6 m) |
| 2500 | 45' (13.7 m) |
| 3000 | 50' (15.2 m) |
| 4500 | 60' (18.2 m) |
| 7000 | (as req'd.) |

Chart based upon 1.5 gain matte white screen, f2.0 lens, a CinemaScope aperture, and using a new xenon bulb.



Shipping Weight: 730 lb. (with High Reactance power supply)
 550 lb. (with Switching power supply)
 with Simplex Apogee: ADD 130 lb.
 with Simplex 35mm Projector & Soundhead: ADD 120 lb.
 with Century 35mm Projector & Soundhead: ADD 120 lb.
 with Ballantyne 35mm Projector & Soundhead: ADD 170 lb.
 with 35/70mm Projector & Soundheads: ADD 210 lb.

Prewire and Assembly Options

Your console can be shipped to the installation site *complete* with all desired support equipment mounted and wired. Components include:

Projector & Soundhead
 Picture Changeover
 Reel or Guidance Arms
 Autoturret Controller
 Failsafe & Sensor Switches

Audio Reader Power Supply
 Remote Frame/Focus
 Auxiliary Exhaust
 Automation Controller

Components purchased from suppliers other than Strong International must be shipped to Strong's Omaha manufacturing facility with sufficient lead time.