



# 8330A Surround Cinema/Foreground Music System

## Professional Series

### Key Features:

- ▶ 40 Hz to 20 kHz Frequency Range
- ▶ 91 dB SPL, 1 W, 1 m (3.3 ft)
- ▶ 100 watts power capacity, continuous pink noise
- ▶ Tight-cluster design of components for uniform horizontal and vertical dispersion
- ▶ Convenient mounting design uses JBL QuickMount™, Omnimount® or APC Multimount brackets
- ▶ Special cabinet shape incorporates 20° angled front baffle
- ▶ SMPTE/ISO2969 Curve X high frequency de-emphasis
- ▶ Lightweight, rigid molded enclosure
- ▶ Input terminals located on top of cabinet for quick access
- ▶ Approved by Lucasfilm, Ltd. for THX® installations

The 8330A Cinema Surround Speaker offers high power handling, high sensitivity, and extended bass response in a very compact enclosure. The three-way 8330A's proven reliability and performance features have positioned it as the industry standard.

The 8330A features a 200 mm (8 in) low frequency driver for smooth, extended bass response, a 130 mm (5 in) midrange transducer for the critical midrange, and a 25 mm (1 in) titanium-laminate dome tweeter to provide wide, even high frequency coverage. The 100 watt continuous power rating (400 watt peaks) provides wide dynamic range with reliability.

Its modern, molded black textured enclosure with black grille enhances any decor.

JBL's QuickMount bracket allows one person to quickly and simply mount the very lightweight enclosure on a previously installed bracket half.

Built to traditional JBL quality standards, the 8330A will stand up to long-term use under adverse conditions while delivering excellent performance.

Omnimount is a registered trademark of Omnimount Systems.

THX is a registered trademark of Lucasfilm, Ltd.



### Specifications:

#### System:

Frequency Range (-10 dB):	40 Hz - 20 kHz
Frequency Response (±3 dB):	70 Hz - 14 kHz
Power Rating <sup>1</sup> :	100 watts continuous pink noise, 400 watts peak
Sensitivity <sup>2</sup> :	91 dB SPL, 1W @ 1m (3.3 ft)
Nominal Impedance:	8 ohms
Hor. Coverage Angle (-6 dB):	110° averaged 400 Hz to 12 kHz
Vert. Coverage Angle (-6 dB):	105° averaged 400 Hz to 12 kHz
Directivity Factor (Q):	4.5 averaged 400 Hz to 12 kHz
Directivity Index (DI):	6.5 dB averaged 400 Hz to 12 kHz
Crossover Frequencies:	650 Hz, 3.1 kHz
High Frequency Contour:	ISO2969 Curve X surround contour
Polarity:	EIA (Positive voltage to RED terminal gives forward cone motion. This is opposite from the previous model 8330).

#### Low Frequency Transducer:

Nominal Diameter: 200 mm (8 in)

#### Midrange Transducer:

Nominal Diameter: 130 mm (5 in)

#### High Frequency Transducer:

Nominal Diameter: 25 mm (1 in)

#### Physical:

Downward Firing Angle: Nominal 20° when mounted flush on back panel

Enclosure Material: Textured Black H.I.P.S. Plastic

Grille Color: Black

Input Connectors: 5-way binding posts

Dimensions (H x W x D): 457 mm x 457 mm x 260 mm  
(18.0 in x 18.0 in x 10.2 in)

Net Weight: 8.6 kg (19 lb)

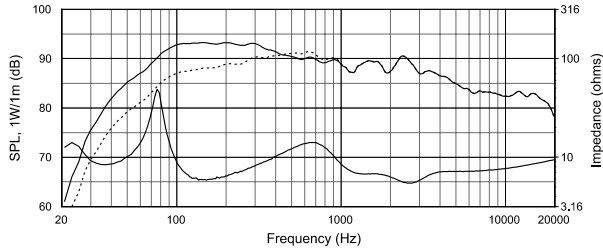
<sup>1</sup>Rating based on test signal of IEC filtered random noise with a peak-to-average ratio of 6 dB, two hours duration.

<sup>2</sup>Sensitivity is based on a swept 500 Hz to 2.5 kHz test signal for an input of 2.83V @ 8 ohms.

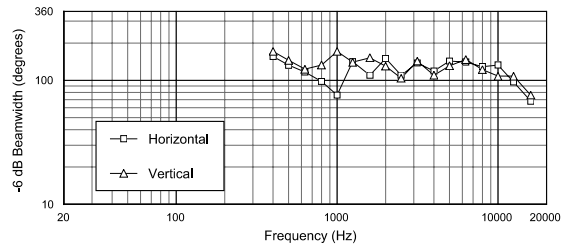
JBL continually engages in research related to product improvement. Some materials, production methods and design refinements are introduced into existing products without notice as a routine expression of that philosophy. For this reason, any current JBL product may differ in some respect from its published description, but will always equal or exceed the original design specifications unless otherwise stated.

# ► 8330A Surround Cinema/Foreground Music System

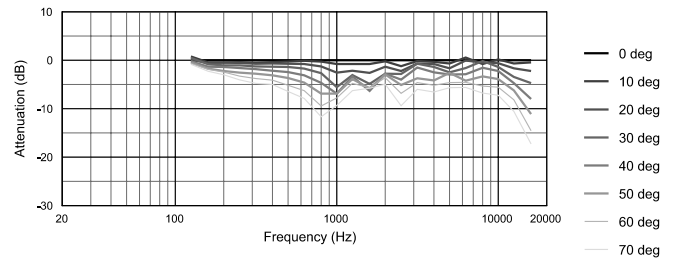
Frequency Response in half-space ( $2\pi$ , solid line) and full-space ( $4\pi$ , dotted line), and Input Impedance



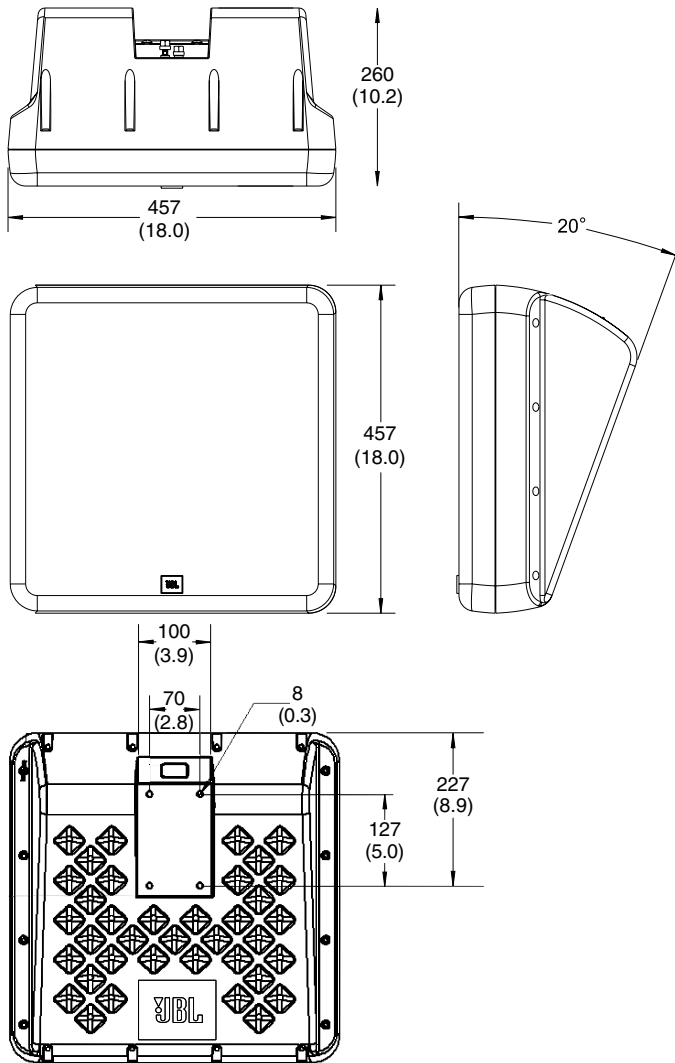
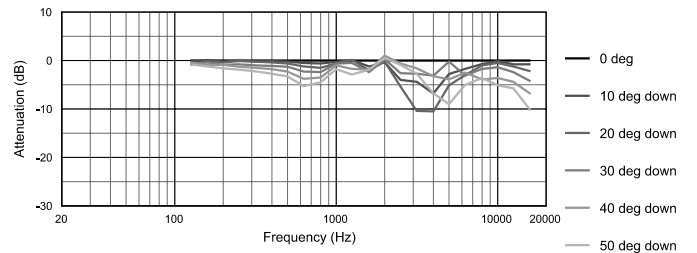
Beamwidth vs. Frequency



Horizontal Off-Axis Frequency Response



Vertical Off-Axis Frequency Response (down)



JBL Professional  
8500 Balboa Boulevard, P.O. Box 2200  
Northridge, California 91329 U.S.A.

■ A Harman International Company

SS 8330A  
CRP ??M  
12/03